

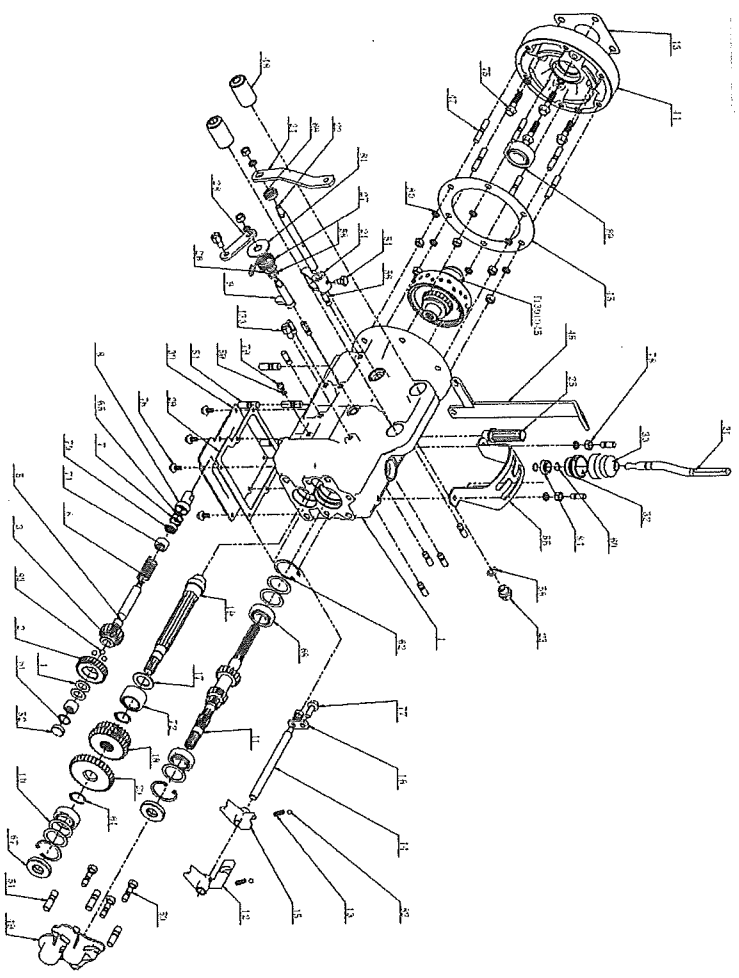
SENCI

3 V640C

CHONGQING SENCI WUGU AGRICULTURAL MACHINERY CO., LTD

SC800 (SENCI TYPE) SPARE PARTS LIST

一、箱体部份 Gearbox Assy



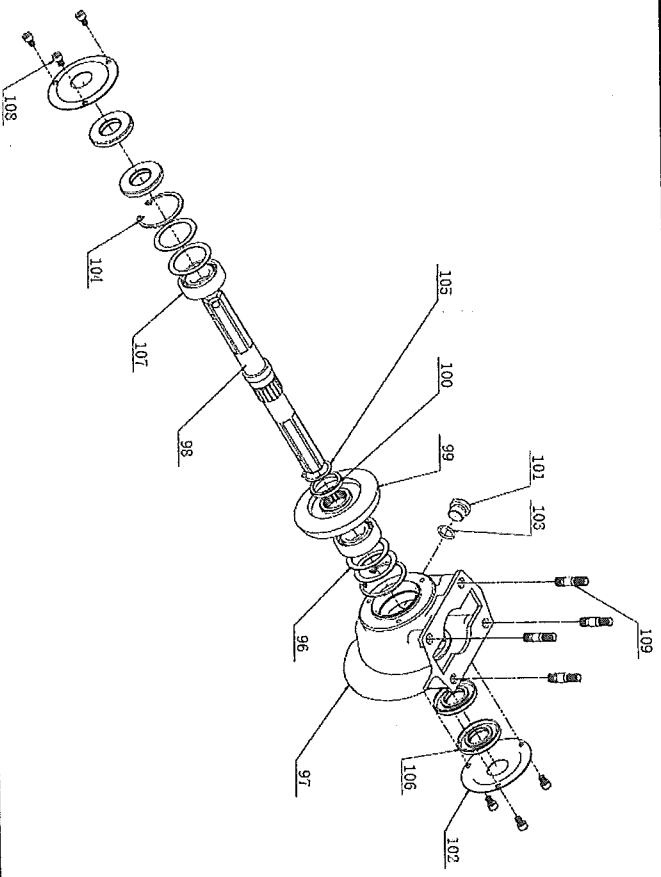
Series No.	Part Code	Chinese Name	English Name	Unit	Quantity for One Unit	Order Quantity	Unit Price	Total Amount	Note
TT1301045	800-S-TT1301045	离合器	Clutch	pcs	1				
1	800-S-1	变速箱	Transmission Box	pcs	1				
2	800-S-2	倒档斜齿	Helical Gear (Reverse Gear)	pcs					
3	800-S-3	倒档直齿	Straight teeth (Reverse Gear)	pcs					
4	800-S-4	垫圈23.8×14.2×1	Washer23.8×14.2×1	pcs	2				

5	800-S-5	倒档轴	Reverse gear shaft	pcs					
6	800-S-6	倒档弹簧	Reverse gear spring	pcs					
7	800-S-7	垫圈18.9×15.2×1	Washer18.9×15.2×1	pcs	2				
8	800-S-8	倒档弹簧套	Reverse gear spring set	pcs	1				
9	800-S-9	倒档拨叉	Reverse gear fork	pcs	1				
10	800-S-10	垫圈39.5×30×0.9	Washer39.5×30×0.9	pcs	5				
11	800-S-11	主轴	Main shaft	pcs					
12	800-S-12	一档拨叉	First gear fork	pcs	1				
13	800-S-13	换挡弹簧	Shift gear spring	pcs	2				
14	800-S-14	换挡拨叉轴	Shift gear fork	pcs	1				
15	800-S-15	二三档拨叉	Second&Third gear fork	pcs	1				
16	800-S-16	换挡拨叉轴盖板	Shift gear fork cover	pcs	1				
17	800-S-17	垫圈34.9×22×2.2	Washer34.9×22×2.2	pcs	1				
18	800-S-18	二三档从动双联齿轮	Second&Third driven duplex gear	pcs	1				
19	800-S-19	副轴	Countershaft	pcs	1				
20	800-S-20	一档从动齿轮	First gear driven gear	pcs	1				
21	800-S-21	离合拨叉	Clutch fork	pcs	1				
22	800-S-22	离合拨叉轴	Clutch fork shaft	pcs	1				
23	800-S-23	六角头螺塞 M14×1.5×12	Plug screw M14×1.5×12	pcs	1				
24	800-S-24	离合臂	Clutch arm	pcs	1				
25	800-S-25	注油塞	Oil plug	pcs	1				
26	800-S-26	垫圈19.9×12.1×0.8	Washer 19.9×12.1×0.8	pcs	1				
27	800-S-27	倒档扭簧	Reverse twist spring	pcs	1				
28	800-S-28	倒档臂	Reverse gear arm	pcs	1				
29	800-S-29	变速箱底盖板纸垫	Paper washer (Gear box bottom plate)	pcs	1				
30	800-S-30	变速箱底盖板	Gear box bottom plate	pcs	1				
31	800-S-31	换挡轴	Shift gear shaft	pcs	1				
32	800-S-32	换挡套	Shift gear set	pcs	1				
33	800-S-33	换挡胶罩	Shift rubber cover	pcs	1				
43	800-S-34	法兰盘与动力纸垫	Paper washer (Flange&Engine)	pcs	1				
44	800-S-35	法兰盘	Flange	pcs	1				

45	800-S-36	法兰盘箱体纸垫	Paper washer (Flange)	pcs					
47	800-S-37	双头螺栓M8 [45×20×20]	Stud M8 [45×20×20]	pcs	6				
48	800-S-38	减震胶套	Damping rubber set	pcs	2				
49	800-S-39	尾盖	End-cap	pcs	1				
50	800-S-40	双头螺栓M8 [25×10×10]	Stud M8 [25×10×10]	pcs	3				
51	800-S-41	双头螺栓M10 [36×19×11]	Stud M10 [36×19×11]	pcs	8				
52	800-S-42	油塞20×6	Oil plug 20×6	pcs	1				
54	800-S-43	六角头法兰面螺栓M6×12	Bolt M6×12	pcs	1				
55	800-S-44	档位指示架	Gear indicator frame	pcs	1				
56	800-S-45	双头螺栓M8 [24×8×16]	Stud M8 [24×8×16]	pcs	10				
58	800-S-46	O型橡胶密封圈1.2×1.8	O Ring 1.2×1.8	pcs	2				
59	800-S-47	O型橡胶密封圈3.75×1.8	O Ring 3.75×1.8	pcs	1				
60	800-S-48	轴用钢丝挡圈12	Retaining ring 12	pcs	2				
61	800-S-49	孔用弹性挡圈A型20	Retaining ring A-20	pcs	1				
62	800-S-50	孔用弹性挡圈A型40	Retaining ring a-40	pcs	3				
64	800-S-51	轴用弹性挡圈A型22	Retaining ring A-22	pcs	2				
65	800-S-52	轴用弹性挡圈A型8	Retaining ring A-8	pcs	1				
66	800-S-53	唇形密封圈FB型12×22×7	Sealing ring FB-12×22×7	pcs	1				
67	800-S-54	唇形密封圈FB型17×40×7	Sealing ring FB-17×40×7	pcs	2				
68	800-S-55	深沟球轴承6203	Bearing6203	pcs	3				
69	800-S-56	深沟球轴承6204	Bearing6204	pcs	1				
133	800-S-57	离合线座	Clutch line set	pcs	2				
70	800-S-58	深沟球轴承619/8	Bearing619/8	pcs	1				
71	800-S-59	冲压外圈滚针轴承H K142012	Needle bearing H K142012	pcs	2				
72	800-S-60	带内圈冲压外圈滚针轴承HK 303720	Needle bearing HK 303720	pcs	1				
73	800-S-61	六角头法兰面螺栓B级M8×20	Bolt B-M8×20	pcs	2				
75	800-S-62	六角头法兰面螺栓B级M8×35	Bolt B-M8×35	pcs	4				
76	800-S-63	六角头法兰面螺栓B级M6×12	Bolt B-M6×12	pcs	6				
77	800-S-64	六角头法兰面螺栓B级M8×20	Bolt B-M8×20	pcs.	1				
78	800-S-65	1型六角螺母 A级和B级M8	Nut A&B M8	pcs	14				

89	800-S-76	行走伞齿轮	Walking bevel gear	pcs	1				
90	800-S-77	变速箱与行走箱上体合箱纸垫	Paper washer (Gear box&transmission box up part)	pcs	1				
91	800-S-78	行走箱上下体合箱纸垫	Paper washer (transmission box up&down part)	pcs	1				
92	800-S-79	轴用弹性挡圈A型20	Retaining ring A-20	pcs	1				
94	800-S-80	深沟球轴承6304	Bearing6304	pcs	1				
107	800-S-81	深沟球轴承6205	Bearing6205	pcs	1				

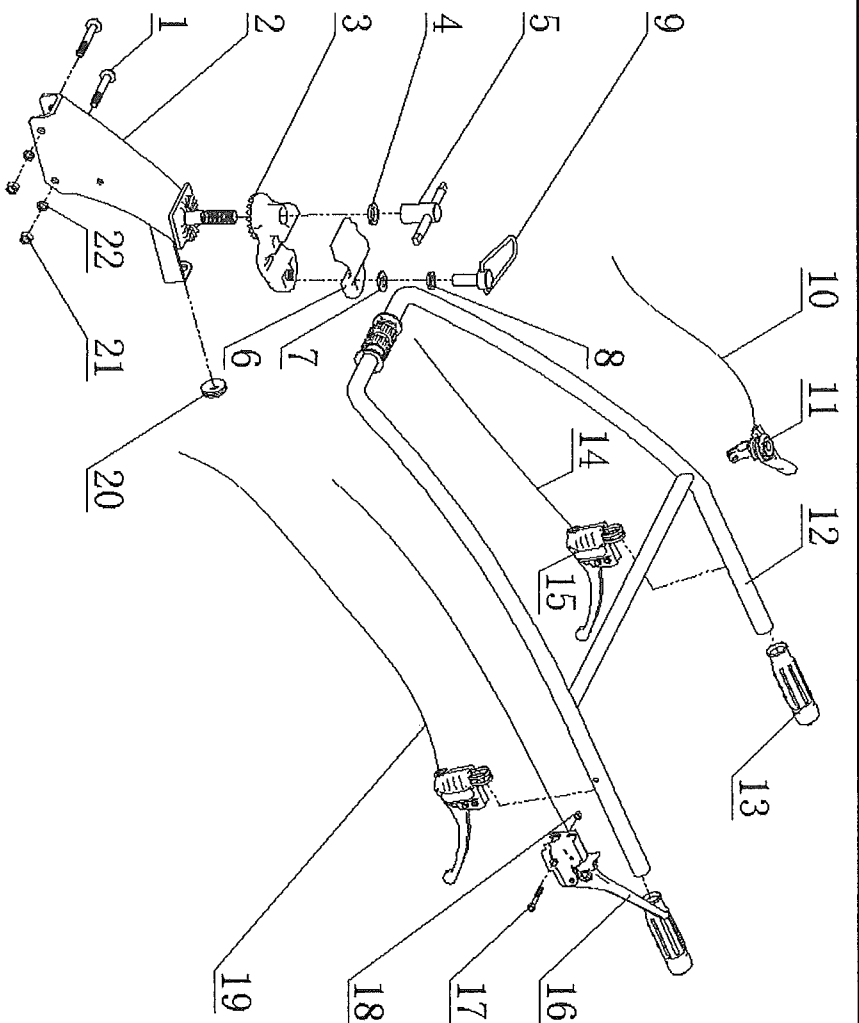
三、行走下箱总成 DOWN WALKING GEAR BOX



Series No.	Part Code	Chinese Name	English Name	Unit	Quantity for One Unit	Order Quantity	Unit Price	Total Amount	Note
96	800-S-82	垫圈51.8×40×1	Washer 51.8×40×1	pcs	4				
97	800-S-83	行走下箱	Down walking box	pcs	1				
98	800-S-84	六方输出轴	Output shaft	pcs	1				

99	800-S-85	输出轴伞齿轮	Output shaft bevel gear	pcs	1					
100	800-S-86	输出轴伞齿轮衬套	Output shaft bevel gear set	pcs	1					
101	800-S-87	放油螺塞 M18X2X15	Oil drain plug M18X2X15	pcs	1					
102	800-S-88	输出轴盖板	Output shaft cover	pcs	2					
103	800-S-89	O型橡胶密封圈15×2.65	O Ring 15×2.65	pcs	1					
104	800-S-90	孔用弹性挡圈A型52×2	Retaining ring A-52×2	pcs	2					
105	800-S-91	轴用弹性挡圈B型30×1.2	Retaining ring B-30×1.2	pcs	1					
106	800-S-92	唇形密封圈FB型25×52×7	Sealing ring FB-25×52×7	pcs	4					
107	800-S-93	深沟球轴承6205	Bearing6205	pcs	2					
108	800-S-94	内六角圆柱头螺钉M6×10	Screw M6×10	pcs	6					
109	800-S-95	六角头螺栓全螺纹 C级M10X35	Bolt C-M10X35	pcs	4					

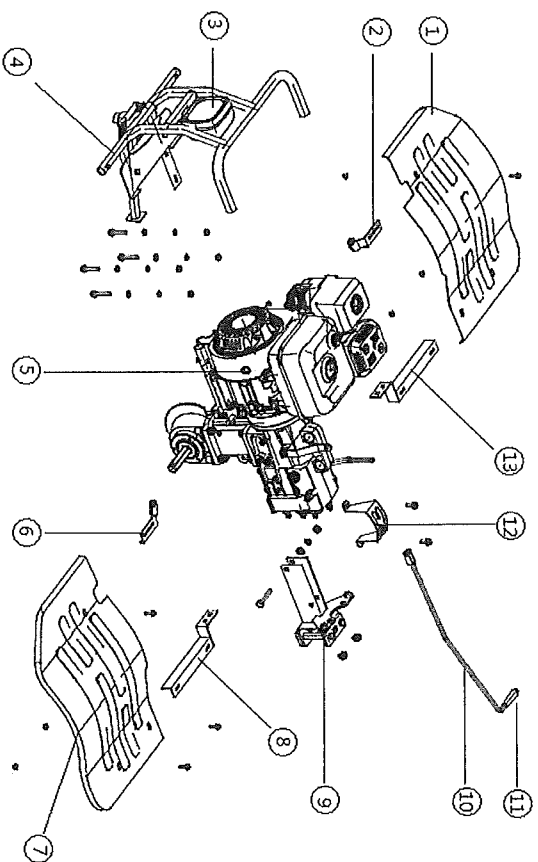
四、扶手操纵部份 HANDLE COSRP ASSY



Series No.	Part Code	Chinese Name	English Name	Unit	Quantity for One Unit	Order Quantity	Unit Price	Total Amount	Note
1	800-S-96	六角头法兰面螺栓M10X70	Bolt M10X70	pcs	2				
2	800-S-97	扶手座	Handle set	pcs	1				
3	800-S-98	下齿盘	Below gear plate	pcs	1				
4	800-S-99	标准型弹性垫圈20	Washer 20	pcs	1				
5	800-S-100	T型转手	T type turning part	pcs	1				
6	800-S-101	上齿盘	Up gear plate	pcs	1				
7	800-S-102	平垫圈 C级16	Flat washer C-16	pcs	1				

8	800-S-103	标准型弹性垫圈16	Spring washer16	pcs	1				
9	800-S-104	锁紧手柄	Locking handle bar	pcs	1				
10	800-S-105	油门拉索	Throttle cable	pcs	1				
11	800-S-106	油门开关	Throttle switch	pcs	1				
12	800-S-107	扶手架	Handle	pcs	1				
13	800-S-108	25减震手把胶	25 Damping handle rubber grip	pcs	2				
14	800-S-109	倒档拉索	Reverse gear cable	pcs	1				
15	800-S-110	离合倒档手柄	Clutch reverse handle bar	pcs	2				
16	800-S-111	汽油机熄火开关	Engine stop switch	pcs	1				
17	800-S-112	内六角圆柱头螺钉M6X45	Screw M6X45	pcs	1				
18	800-S-113	六角螺母M6	Nut M6	pcs	1				
19	800-S-114	离合拉索	Clutch cable	pcs	1				
20	800-S-115	换挡杆胶套	Gearshift rubber set	pcs	1				
21	800-S-116	六角法兰面螺母 A级M10	Nut A-M10	pcs	2				
22	800-S-117	标准型弹性垫圈10	Spring washer10	pcs	2				

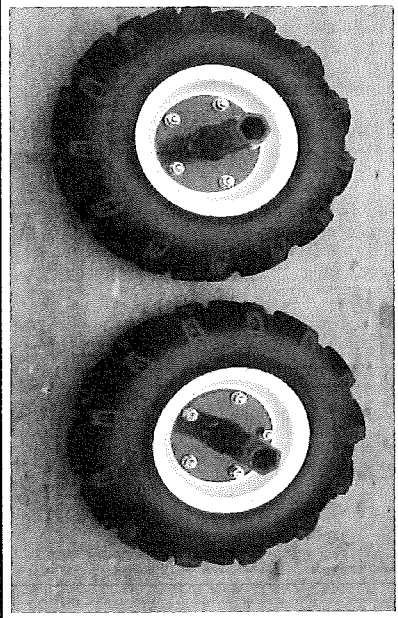
五、整机部分 TILLER PARTS



Series No.	Part Code	Chinese Name	English Name	Unit	Quantity for One Unit	Order Quantity	Unit Price	Total Amount	Note
1	800-S-118	右挡泥板	Right fender	pcs	1				
2	800-S-119	挡泥板前支撑 (右)	Right front fender support	pcs	1				
3	800-S-120	灯	Lamp	pcs	1				
4	800-S-121	保险杠	Bumper	pcs	1				
5	800-S-122	动力	Engine	pcs	1				
6	800-S-123	挡泥板前支撑 (左)	Left front fender support	pcs	1				
7	800-S-124	左挡泥板	Left fender	pcs	2				
8	800-S-125	挡泥板后支撑 (右)	Right rear fender support	pcs	2				
9	800-S-126	拖挂体	Coupling	pcs	2				
10	800-S-127	换挡杆	Gearshift	pcs	1				
11	800-S-128	换挡杆套	Gearshift set	pcs	1				
12	800-S-129	换挡杆罩	Gearshift cover	pcs	1				

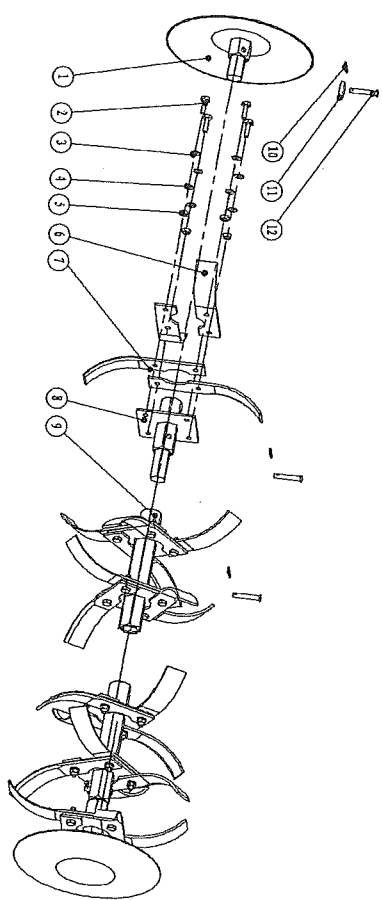
13	800-S-130	挡泥板后支撑 (左)	Left rear fender support	pcs	2				
----	-----------	------------	--------------------------	-----	---	--	--	--	--

六、车轮部份 WHEEL ASSY (4.00-8)



Series No.	Part Code	Chinese Name	English Name	Unit	Quantity for One Unit	Order Quantity	Unit Price	Total Amount	Note
1	800-S-131	4.00-8内轮毂	INSIDE WHEEL HUB	pcs	2				
2	800-S-132	4.00-8外轮毂	OUTSIDE WHEEL HUB	pcs	2				
3	800-S-133	车轮轴	WHEEL SHAFT	pcs	2				
4	800-S-134	4.00-8外胎	OUTTER TUBE 4.00-8	pcs	2				
5	800-S-135	4.00-8内胎	INNER TUBE 4.00-8	pcs	2				
6	800-S-136	六角螺栓M10×20	HEXAGON FLANGE BOLTM10×20	pcs	8				
7	800-S-137	六角螺栓M10×25	HEXAGON FLANGE BOLTM10×25	pcs	8				
8	800-S-138	平垫 10	WASHER 10	pcs	16				
9	800-S-139	弹垫 10	WASHER SPRING 10	pcs	16				
10	800-S-140	六角螺母M10	HEXAGON FLANGE NUTSM10	pcs	16				

七、标配刀具 (3组4片, 散装) 欧式直刀 BLADE ASSY (3-4)



Series No.	Part Code	Chinese Name	English Name	Unit	Quantity for One Unit	Order Quantity	Unit Price	Total Amount	Note
1	800-S-141	修边轮	DISC	pcs	2				
2	800-S-142	六角螺栓M8×30	HEXAGON FLANGE BOLT M8×30	pcs	24				
3	800-S-143	平垫 8	WASHER 8	pcs	24				
4	800-S-144	弹垫 8	WASHER SPRING 8	pcs	24				
5	800-S-145	六角螺母 M8	HEXAGON FLANGE NUT M8	pcs	24				
6	800-S-146	(3-4)左旱地直刀片	LEFT ROTARY BLADE (3-4)	pcs	12				
7	800-S-147	(3-4)右旱地直刀片	RIGHT ROTARY BLADE (3-4)	pcs	12				
8	800-S-148	副刀筒	VICE BLADE CYLINDER	pcs	2				
9	800-S-149	主刀筒	BLADE CYLINDER	pcs	2				
10	800-S-150	β型开口销φ2×9×38	βPINφ2×9×38	pcs	6				
11	800-S-151	平垫 8	WASHER 8	pcs	6				
12	800-S-152	B型销轴 8×40	B PIN 8×40	pcs	6				