

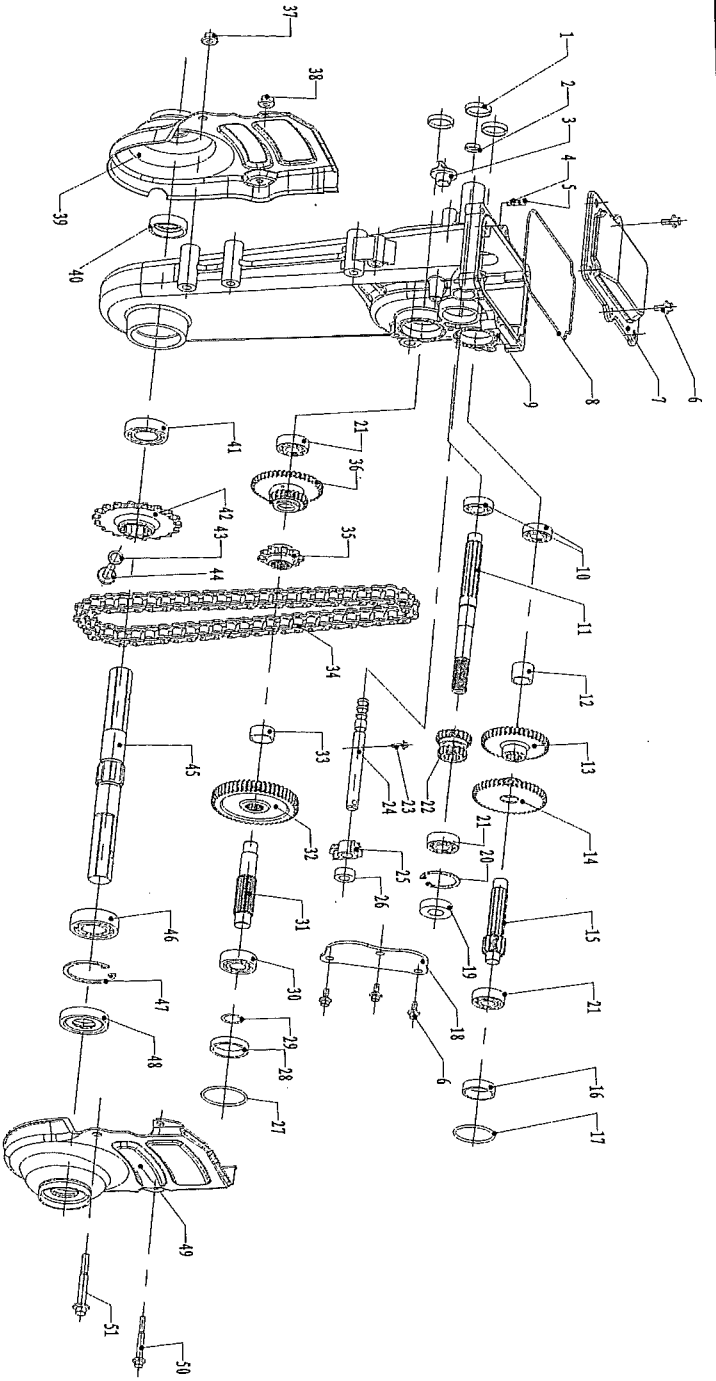
2021/6

SENCI

CHONGQING SENC I WUGU AGRICULTURAL MACHINERY CO.,LTD

SC-90-III (CLASSICAL TYPE) SPARE PARTS LIST

一、箱体部份 Gearbox Assy

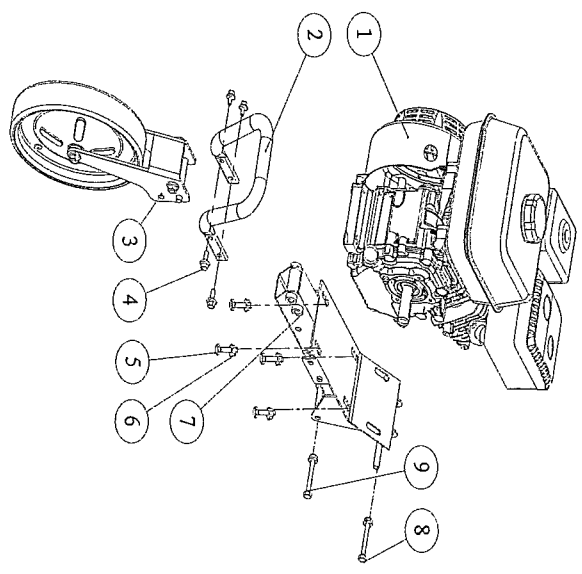


Series No.	Part Code	Chinese Name	English Name	Unit	Quantity for One Unit	Order Quantity	Unit Price	Total Amount	Note
1	75-C-1	防尘胶塞 (大)	OIL PLUG (BIG)	pcs	3				
2	75-C-2	防尘胶塞 (小)	OIL PLUG (SMALL)	pcs	1				
3	75-C-3	机油塞	OIL PLUG	pcs	1				
4	75-C-4	拨叉限位弹簧	SHIFTING SPRING	pcs	1				
5	75-C-5	钢球φ6.3	STEEL BALLφ6.3	pcs	1				
6	75-C-6	六角法兰面螺栓M6×12	HEXAGON FLANGE BOLT M6×12	pcs	5				
7	75-C-7	变速箱盖	GEAR BOX COVER	pcs	1				

8	75-C-8	密封胶圈	SEALING RING	pcs	1				
9	75-C-9	变速箱体	GEAR BOX	pcs	1				
10	75-C-10	深沟球轴承6202	Bearing 6202	pcs	1				
11	75-C-11	主轴	MAIN SHAFT	pcs	1				
12	75-C-12	轴套 I	SHAFT HOUSING	pcs	1				
13	75-C-13	一档齿	COUNTER SHAFT GEAR ONE	pcs	1				
14	75-C-14	二档齿	COUNTER SHAFT GEAR TWO	pcs	1				
15	75-C-15	副轴	COUNTER SHAFT	pcs	1				
16	75-C-16	止退圈 I	STOP RING I	pcs	1				
17	75-C-17	O型圈40×2.65	O-RING 40×2.65	pcs	1				
18	75-C-18	油封板	OIL STOPPER	pcs	1				
19	75-C-19	油封15×35×7	OIL SEAL φ15×φ35×7	pcs	1				
20	75-C-20	孔用弹性挡圈 35	CHECK RING 35	pcs	1				
21	75-C-21	深沟球轴承6202	Bearing 6202	pcs	3				
22	75-C-22	主轴双联齿	TWO-THROW GEAR	pcs	1				
23	75-C-23	六角法兰面螺栓M6×16	HEXAGON FLANGE BOLT M6×16	pcs	1				
24	75-C-24	换挡拨叉轴	SHIFT FORK SHAFT	pcs	1				
25	75-C-25	换挡拨叉	SHIFT FORK	pcs	1				
26	75-C-26	油封12×22×5	OIL SEAL 12×22×5	pcs	1				
27	75-C-27	O型圈45×2.65	O-RING 40×2.65	pcs	1				
28	75-C-28	止退圈 II	STOP RING II	pcs	1				
29	75-C-29	垫片φ17.5×φ26×1.0	WASHER φ17.5×φ26×1.0	pcs	1				
30	75-C-30	深沟球轴承6203	Bearing 6203	pcs	1				
31	75-C-31	驱动轴	DRIVING SHAFT	pcs	1				
32	75-C-32	驱动齿	DRIVING GEAR	pcs	1				
33	75-C-33	轴套 II	SHAFT HOUSING II	pcs	1				
34	75-C-34	链条	CHAIN	pcs	1				
35	75-C-35	主动链轮	DRIVING SPROCKET	pcs	1				
36	75-C-36	倒档双联齿	REVERSE TWO-THROW GEAR	pcs	1				
37	75-C-37	六角法兰面螺母M8	HEXAGON FLANGE NUTS M8	pcs	1				
38	75-C-38	六角法兰面螺母M6	HEXAGON FLANGE NUTS M6	pcs	1				
39	75-C-39	右防护罩	RIGHT SHIELD	pcs	1				
40	75-C-40	油封25×41×9 (总厚13)	OIL SEAL 25×41×9	pcs	1				
41	75-C-41	深沟球轴承6005	Bearing 6005	pcs	1				

42	75-C-42	从动链轮	DRIVEN SPROCKET	pcs	1				
43	75-C-43	铝平垫φ10	WASHER φ10	pcs	1				
44	75-C-44	六角法兰面螺栓M10×1.25×12	HEXAGON FLANGE BOLT M10×1.25×12	pcs	1				
45	75-C-45	六方输出轴	HEXAGON OUTPUT SHAFT	pcs	1				
46	75-C-46	深沟球轴承6205	Bearing 6205	pcs	1				
47	75-C-47	孔用弹性挡圈 52	CHECK RING 40	pcs	1				
48	75-C-48	油封25×52×9 (总厚13)	OIL SEAL 25×52×9	pcs	1				
49	75-C-49	左防护罩	LEFT SHIELD	pcs	1				
50	75-C-50	六角法兰面螺栓M6×50	HEXAGON FLANGE BOLT M6×50	pcs	1				
51	75-C-51	六角法兰面螺栓M8×60	HEXAGON FLANGE BOLT M8×60	pcs	1				

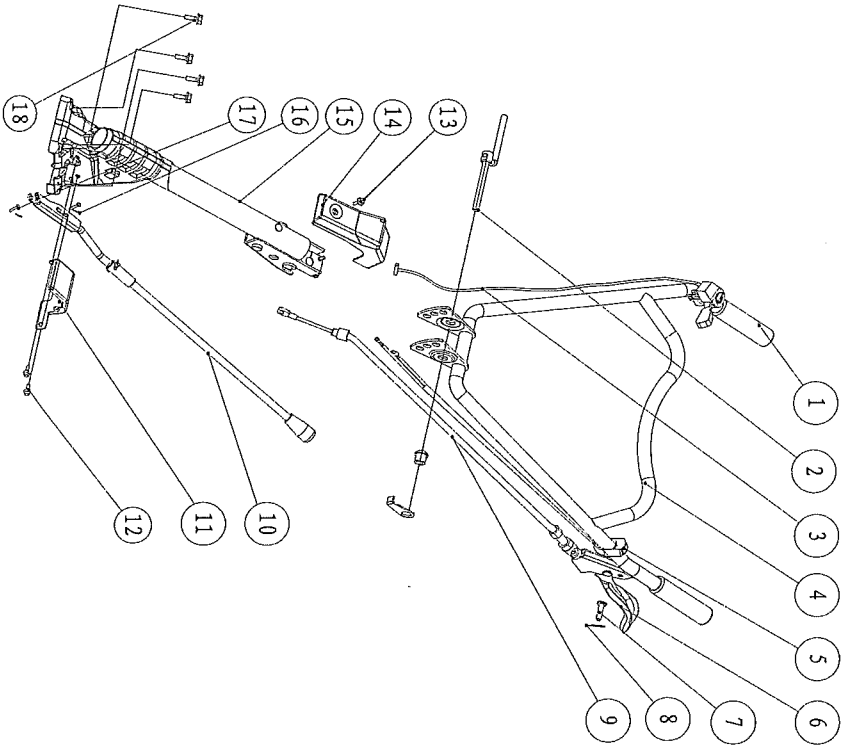
二、动力部份、支撑架部份 ENGINE & ENGINE SUPPORT FRAME



Series No.	Part Code	Chinese Name	English Name	Unit	Quantity for One Unit	Order Quantity	Unit Price	Total Amount	Note
1	75-C-52	汽油机	GASOLINE ENGINE	pcs	1				

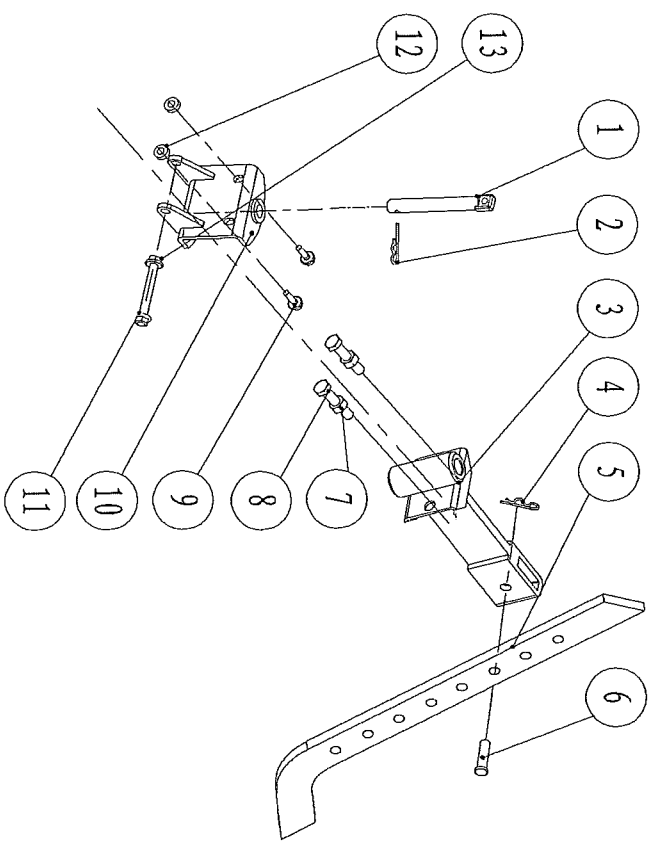
2	75-C-53	保险杠	Bumper ASSY	pcs	1					
3	75-C-54	前轮组件	FRONT WHEEL ASSY	pcs	1					
4	75-C-55	六角法兰面螺栓M8×16	HEXAGON FLANGE BOLT M8×16	pcs	4					
5	75-C-56	六角法兰面螺栓M8×35	HEXAGON FLANGE BOLT M8×35	pcs	4					
6	75-C-57	六角法兰面螺母M8	HEXAGON FLANGE NUTS M8	pcs	6					
7	75-C-58	动力支撑架	ENGINE SUPPORT FRAME	pcs	1					
8	75-C-59	六角法兰面螺栓M8×60	HEXAGON FLANGE BOLT M8×60	pcs	1					
9	75-C-60	六角法兰面螺栓M8×65	HEXAGON FLANGE BOLT M8×65	pcs	1					

三、扶手操纵部份 HANDLE COSRP ASSY



Series No.	Part Code	Chinese Name	English Name	Unit	Quantity for One Unit	Order Quantity	Unit Price	Total Amount	Note
1	75-C-61	扶手胶套	GRIP	pcs	2				
2	75-C-62	升降把手组件	ADJUSTABLE BAR	pcs	1				
3	75-C-63	油门线	THROTTLE CABLE	pcs	1				
4	75-C-64	扶手架	HANDLE COSRP	pcs	1				
5	75-C-65	熄火开关	SHUT DOWN SWITCH COSRP	pcs	1				
6	75-C-66	离合把手	CLUTCH HANDLE	pcs	1				
7	75-C-67	B型销轴8×25	B PIN 8×25	pcs	1				
8	75-C-68	开口销 2×20	PIN 2×20	pcs	1				
9	75-C-69	离合线	CLUTCH CABLE	pcs	1				
10	75-C-70	换挡杆组件	SHIFT LEVER	pcs	1				
11	75-C-71	换挡外罩	GEAR POSITION INDICATION STAND	pcs	1				
12	75-C-72	六角法兰面螺栓M6×10	HEXAGON FLANGE BOLT M6×10	pcs	2				
13	75-C-73	十字槽盘头自攻螺钉ST5×10	self tapping screw ST5×10	pcs	3				
14	75-C-74	装饰盖	HANDLE COVER	pcs	1				
15	75-C-75	扶手座	HANDLE COSRP BASE	pcs	1				
16	75-C-76	β型开口销φ1.0×5.0×25	β PIN φ1.0×5.0×25	pcs	2				
17	75-C-77	B型销轴5×24	B PIN 5×24	pcs	2				
18	75-C-78	六角法兰面螺栓M8×20	HEXAGON FLANGE BOLT M8×20	pcs	4				

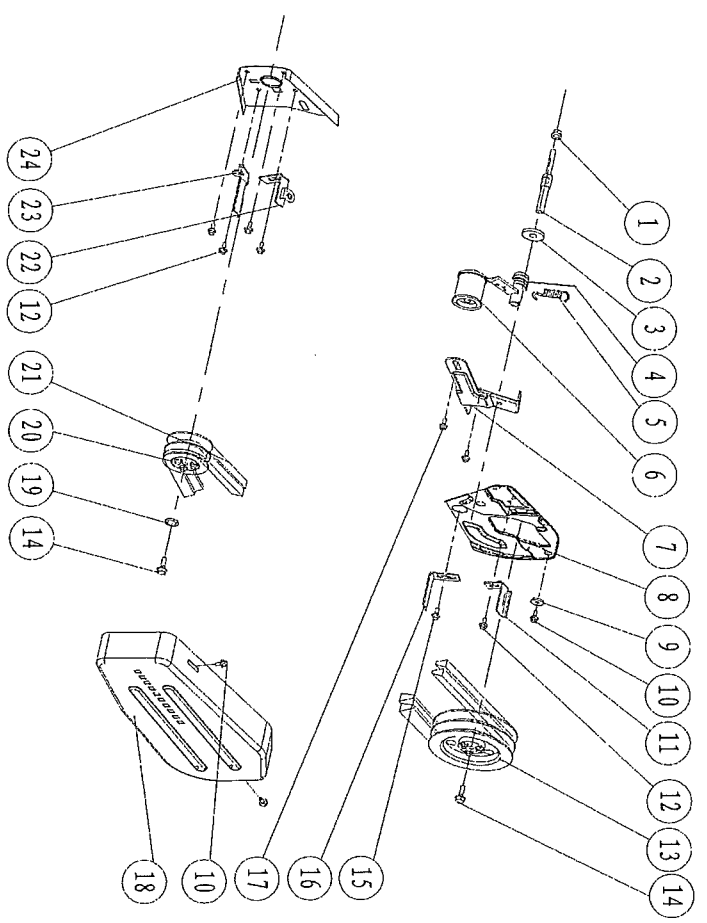
四、拖挂体部份 PULLEY COSRP ASSY



Series No.	Part Code	Chinese Name	English Name	Unit	Quantity for One Unit	Order Quantity	Unit Price	Total Amount	Note
1	75-C-79	拖挂体插销	PIN OF PULLEY COSRP	pcs	1				
2	75-C-80	β型开口销 φ3×20×60	β PIN φ3×20×60	pcs	1				
3	75-C-81	连接架	WELDED PART OF HINGE COSRP	pcs	1				
4	75-C-82	β型开口销 φ2×9×38	β PIN φ2×9×38	pcs	1				
5	75-C-83	L式阻力耕刀	DEEP FURROWING RESISTANCE PART (TYPE-L)	pcs	1				
6	75-C-84	B型销轴 8×40	PIN8×40	pcs	1				
7	75-C-85	六角螺栓M12×50	HEXAGON FLANGE BOLT M12×50	pcs	2				
8	75-C-86	六角螺母M12	HEXAGON FLANGE NUTS M12	pcs	2				
9	75-C-87	六角法兰面螺栓M8×20	HEXAGON FLANGE BOLT M8×20	pcs	2				
10	75-C-88	拖挂体(加厚型)	ENHANCED PULLEY COSRP	pcs	1				
11	75-C-89	六角法兰面螺栓M10×85	HEXAGON FLANGE BOLT M10×85	pcs	1				
12	75-C-90	六角法兰面螺母M10	HEXAGON FLANGE NUTS M10	pcs	1				

13	75-C-91	平垫 $\Phi 10 \times \Phi 22 \times 3$	WASHER $\Phi 10 \times \Phi 22 \times 3$	pcs	2				
----	---------	--------------------------------------	--	-----	---	--	--	--	--

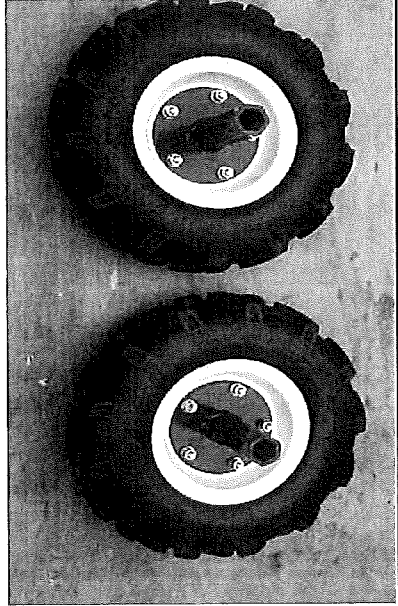
五、皮带传动部份 DRIVING PULLEY ASSY



Series No.	Part Code	Chinese Name	English Name	Unit	Quantity for One Unit	Order Quantity	Unit Price	Total Amount	Note
1	75-C-92	六角法兰面螺母M8	HEXAGON FLANGE NUTS M8	pcs	1				
2	75-C-93	张紧轮芯轴	TENSIONER SHAFT	pcs	1				
3	75-C-94	平垫 $\Phi 12 \times \Phi 20 \times 1.5$	WASHER $\Phi 12 \times \Phi 20 \times 1.5$	pcs	1				
4	75-C-95	张紧轮复位弹簧	TENSIONER SPRING	pcs	1				
5	75-C-96	张紧轮拉簧	TENSIONER SPRING	pcs	1				
6	75-C-97	张紧轮组件	TENSIONER ASSY	pcs	1				
7	75-C-98	张紧拉索支架	TENSIONER SUPPORT	pcs	1				
8	75-C-99	从动皮带轮底板	Driven Pulley PLATE	pcs	1				
9	75-C-100	平垫 6	WASHER 6	pcs	1				
10	75-C-101	六角法兰面螺栓M6×10	HEXAGON FLANGE BOLT M6×10	pcs	3				

11	75-C-102	张紧块C	TENSIONER PLATE C	pcs	1				
12	75-C-103	六角法兰面螺栓M8×12	HEXAGON FLANGE BOLT M8×12	pcs	5				
13	75-C-104	从动皮带轮组件	Driven Pulley ASSY	pcs	1				
14	75-C-105	六角法兰面螺栓M8×20	HEXAGON FLANGE BOLT M8×20	pcs	2				
15	75-C-106	六角法兰面螺栓M6×12	HEXAGON FLANGE BOLT M6×12	pcs	1				
16	75-C-107	张紧块D	TENSIONER PLATE D	pcs	1				
17	75-C-108	六角法兰面螺栓M8×16	HEXAGON FLANGE BOLT M8×16	pcs	2				
18	75-C-109	皮带护罩	BELT COVER	pcs	1				
19	75-C-110	弹垫 8	WASHER SPRING 8	pcs	1				
20	75-C-111	主动皮带轮组件	Driving Pulley ASSY	pcs	1				
21	75-C-112	齿型V带 (B-17×940 Li) La980	BELT (TYPE B 17*914Lj)	pcs	2				
22	75-C-113	张紧块A	TENSIONER PLATE A	pcs	1				
23	75-C-114	张紧块B	TENSIONER PLATE B	pcs	1				
24	75-C-115	主动皮带轮底板	DRIVING PULLEY PLATE	pcs	1				

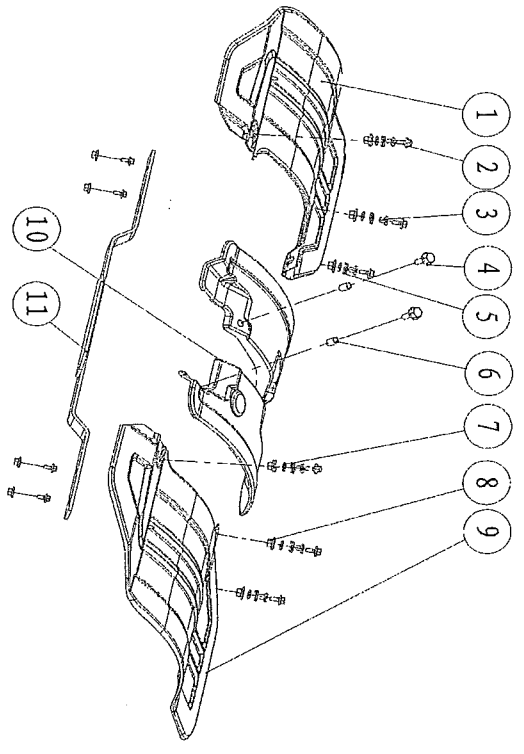
七、车轮部份 WHEEL ASSY (4.00-8)



Series No.	Part Code	Chinese Name	English Name	Unit	Quantity for One Unit	Order Quantity	Unit Price	Total Amount	Note
1	75-C-116	4.00-8内轮毂	INSIDE WHEEL HUB	pcs	2				
2	75-C-117	4.00-8外轮毂	OUTSIDE WHEEL HUB	pcs	2				
3	75-C-118	车轮轴	WHEEL SHAFT	pcs	2				
4	75-C-119	4.00-8外胎	OUTTER TUBE 4.00-8	pcs	2				

5	75-C-120	4.00-8内胎	INNER TUBE 4.00-8	pcs	2				
6	75-C-121	六角螺栓M10×20	HEXAGON FLANGE BOLT M10×20	pcs	8				
7	75-C-122	六角螺栓M10×25	HEXAGON FLANGE BOLT M10×25	pcs	8				
8	75-C-123	平垫 10	WASHER 10	pcs	16				
9	75-C-124	弹垫 10	WASHER SPRING 10	pcs	16				
10	75-C-125	六角螺母M10	HEXAGON FLANGE NUTSM10	pcs	16				

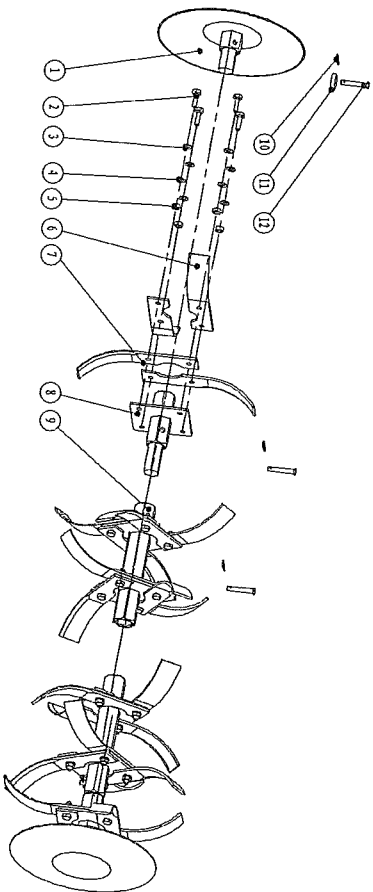
八、挡泥板部份 MUD DEFENDER ASSY



Series No.	Part Code	Chinese Name	English Name	Unit	Quantity for One Unit	Order Quantity	Unit Price	Total Amount	Note
1	75-C-126	右挡泥板	RIGHT-SIDE FENDER	pcs	1				
2	75-C-127	六角法兰面螺栓M6×20	HEXAGON FLANGE BOLT M6×20	pcs	10				
3	75-C-128	挡泥板翻边衬套	OUTTER FENDER SPACER	pcs	6				
4	75-C-129	六角法兰面螺栓M8×25	HEXAGON FLANGE BOLT M6×25	pcs	2				
5	75-C-130	挡泥板胶塞	FENDER PLUG	pcs	6				
6	75-C-131	内挡泥板衬套 (原名称: 垫套)	INNER FENDER SPACER	pcs	2				
7	75-C-132	纸垫Φ6	PAPER WASHER Φ6	pcs	6				
8	75-C-133	六角法兰面螺母M6	HEXAGON FLANGE NUTS M8	pcs	10				

9	75-C-134	左挡泥板	RIGHT-SIDE FENDER	pcs	1				
10	75-C-135	内挡泥板	INNER FENDER	pcs	1				
11	75-C-136	挡泥板后支架	MUD DEFENDER SUPPORT	pcs	1				

九、标配刀具 (3组4片, 散装) 欧式直刀 BLADE ASSY (3-4)



Series No.	Part Code	Chinese Name	English Name	Unit	Quantity for One Unit	Order Quantity	Unit Price	Total Amount	Note
1	75-C-137	修边轮	DISC	pcs	2				
2	75-C-138	六角螺栓M8×30	HEXAGON FLANGE BOLT M8×30	pcs	24				
3	75-C-139	平垫 8	WASHER 8	pcs	24				
4	75-C-140	弹垫 8	WASHER SPRING 8	pcs	24				
5	75-C-141	六角螺母 M8	HEXAGON FLANGE NUT M8	pcs	24				
6	75-C-142	(3-4)左旱地直刀片	LEFT ROTARY BLADE (3-4)	pcs	12				
7	75-C-143	(3-4)右旱地直刀片	RIGHT ROTARY BLADE (3-4)	pcs	12				
8	75-C-144	副刀筒	VICE BLADE CYLINDER	pcs	2				
9	75-C-145	主刀筒	BLADE CYLINDER	pcs	2				
10	75-C-146	β型开口销φ2×9×38	βPIN φ2×9×38	pcs	6				
11	75-C-147	平垫 8	WASHER 8	pcs	6				
12	75-C-148	B型销轴 8×40	B PIN 8×40	pcs	6				